

MECHANISCHE SENKLOTE VON KRUSE UND GREEN

Autor: Wolfgang Ruecker

www.senkloete.eu

Lieber Sammlerfreund,
lieber Leser,

zu Beginn eine Bitte: Diese SENKLOT NEWS können nur durch die Mithilfe von anderen Sammlern geschrieben werden, deshalb suche ich Fotos, Katalogseiten, Artikel oder persönliche Geschichten über alle Aspekte der Senkloete von jedermann. Jede kleinste Zusendung ist wertvoll. Ich freue mich auf Deinen Beitrag.

DANKE

Wolfgang

MECHANISCHE SENKLOTE; KRUSE'S RETRACTO LOT (USA) und GREEN'S SCHNUR AUFWICKEL LOT (UK)

INHALTSVERZEICHNIS

1. EINLEITUNG	19
2. KRUSE'S RETRACTO-LOT 1962 (USA).....	20
3. PATENTE, DIE BEI KRUSE ALS „BEZUG“ GENANNT SIND:	27
4. GREEN'S LINE WINDING PLUMB BOB (UK).....	31
5. ETWAS ZUM SCHMUNZELN.....	33
6. BEMERKUNG.....	34

1. EINLEITUNG

In meiner Sammlung habe ich wenige mechanische Senkloete (mit Federn, Spulen, Getrieben). Sie sind schwer zu bekommen und normalerweise zu teuer für mein Budget. Aber im letzten Jahr konnte ich doch zwei interessante Stücke davon erwerben.



unbenutzt in einem Blechcontainer mit einer Bedienanweisung. Alles in gutem Zustand.. Linkes Lot im Bild links.

GREEN'S LINE WINDING PLUMMET (SCHNUR AUFWICKEL-LOT), habe ich bei Ebay England gewonnen. Es scheint ziemlich selten zu sein, da ich nur noch ein zweites Exemplar kenne in der Sammlung von Nelson Denny † (seine

Invent. Nr. 633).

Es ist ein sogenanntes **“IN – OUT” Senklot**.

KRUSE RETRACTO (EINROLL) LOT.

Von diesem Lot habe ich in den letzten 20 Jahren nur dreimal gehört.

Eins ist in der Sammlung meines Freundes Riccardo Chetoni in Pisa, Italien und eins wurde bei eBay 2003 angeboten (konnte es nicht gewinnen). Das dritte war in der Sammlung von Nelson Denny † (seine Invent.-Nr 671) und wurde bei Donnelly im März 2013 für 450 \$ versteigert. Es war ohne Blechcontainer und ohne Bedienungsanweisung. Ich bekam eine Anfrage von einem Mann aus Louisiana, U.S.A., der das Lot von seinem Bruder in Kalifornien geerbt hatte. Dieses patentierte Lot ist fast

MEINE MEINUNG; nachdem ich diesen Artikel geschrieben habe und einige Tests (zerlegen, zusammen bauen, aufwickeln, abwickeln usw.) mit beiden Loten durchgeführt habe:

Sie sind höchst interessant für SAMMLER, aber **bestimmt nicht** für HANDWERKER. Sie würden diese Lote wahrscheinlich recht bald in der Werkzeugkiste liegen lassen. Das ist wahrscheinlich auch der Grund, warum die Lote nicht in großer Stückzahl hergestellt worden sind.

**2. KRUSE'S RETRACTO-LOT
1962 (USA)**



Nelson Denny † hatte eins von diesen patentierten Loten in seiner Sammlung. Dank an Nelson für die Bilder oben.

Ähnlich wie das KRUSE, aber doch anders ist das CURRY Lot. (1906 USA). Das Patent ist über 50 Jahre älter. Fotos unten von ND. Nächste Seite Patentseite vom CURRY Lot.

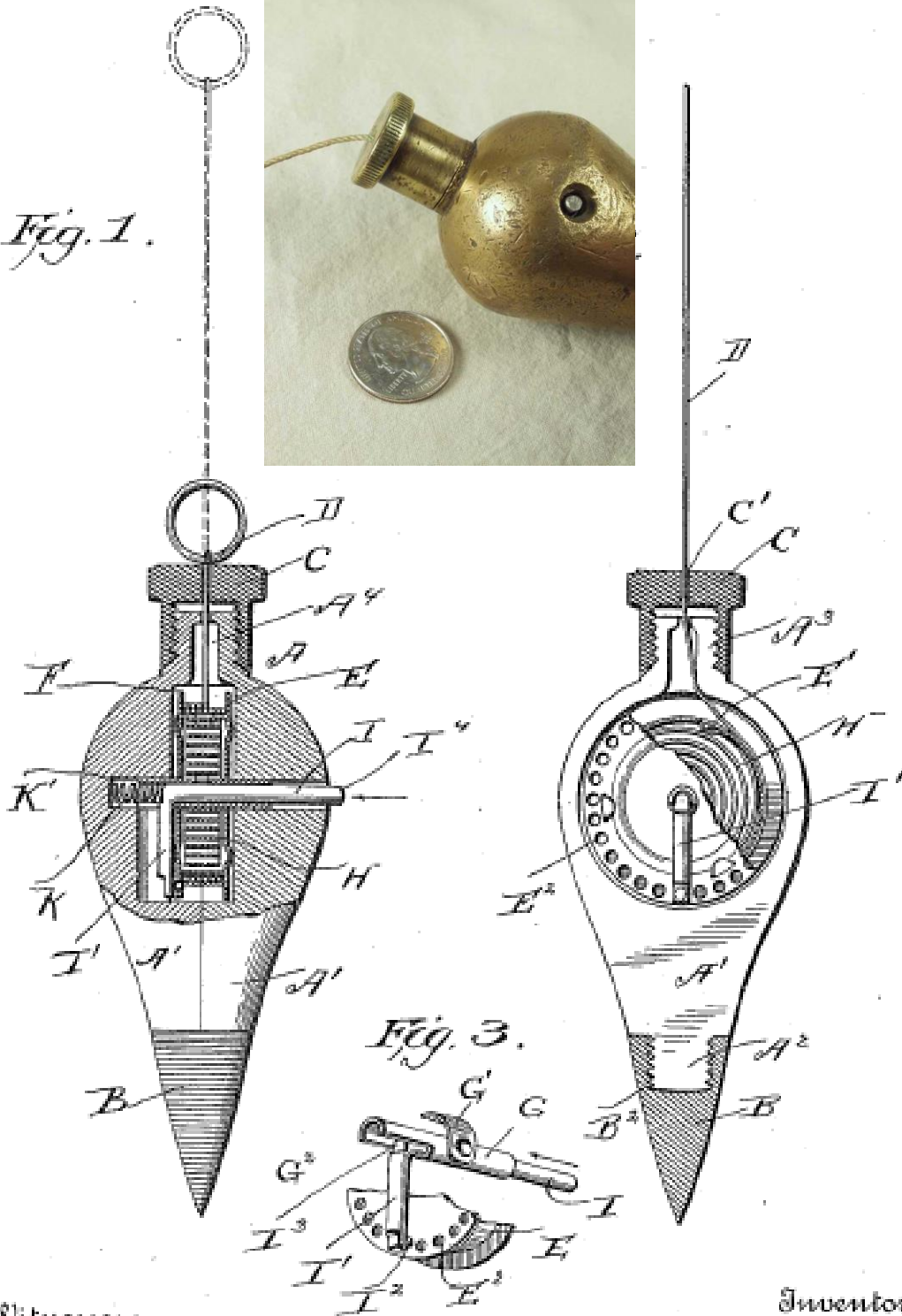


UNITED STATES PATENT OFFICE.
HILL McCLELLAND CURRY, OF CALIFORNIA, PENNSYLVANIA.
PLUMB-BOB.

H. McC. CURRY.
PLUMB BOB.

APPLICATION FILED JAN. 28, 1906.

Fig. 1.



Witnesses
[Signature]
[Signature]

Inventor:
 H. M. Curry,
 by *[Signature]*
 Attorney

Lasst uns beginnen mit dem Erfinder
MELVIN S. KRUSE 9525 Holbrook, Pico
 Riva, Calif.

Ich fand **3 Patente** bzgl. Senkloten von ihm.

- **US2,849,805 KRUSE 1958**
RETRACTABLE PLUMB BOB

- **US3,064,356 KRUSE 1962**
RETRACTABLE PLUMB BOB

- **US3,284,914 KRUSE 1966** **LINE-**
RETRIEVING PLUMB BOB

Für mein Lot ist das 1962 Patent die Basis,
 nur die Position der Stifte zur Schnurführung
 ist vom Patent 1966.

Nov. 20, 1962

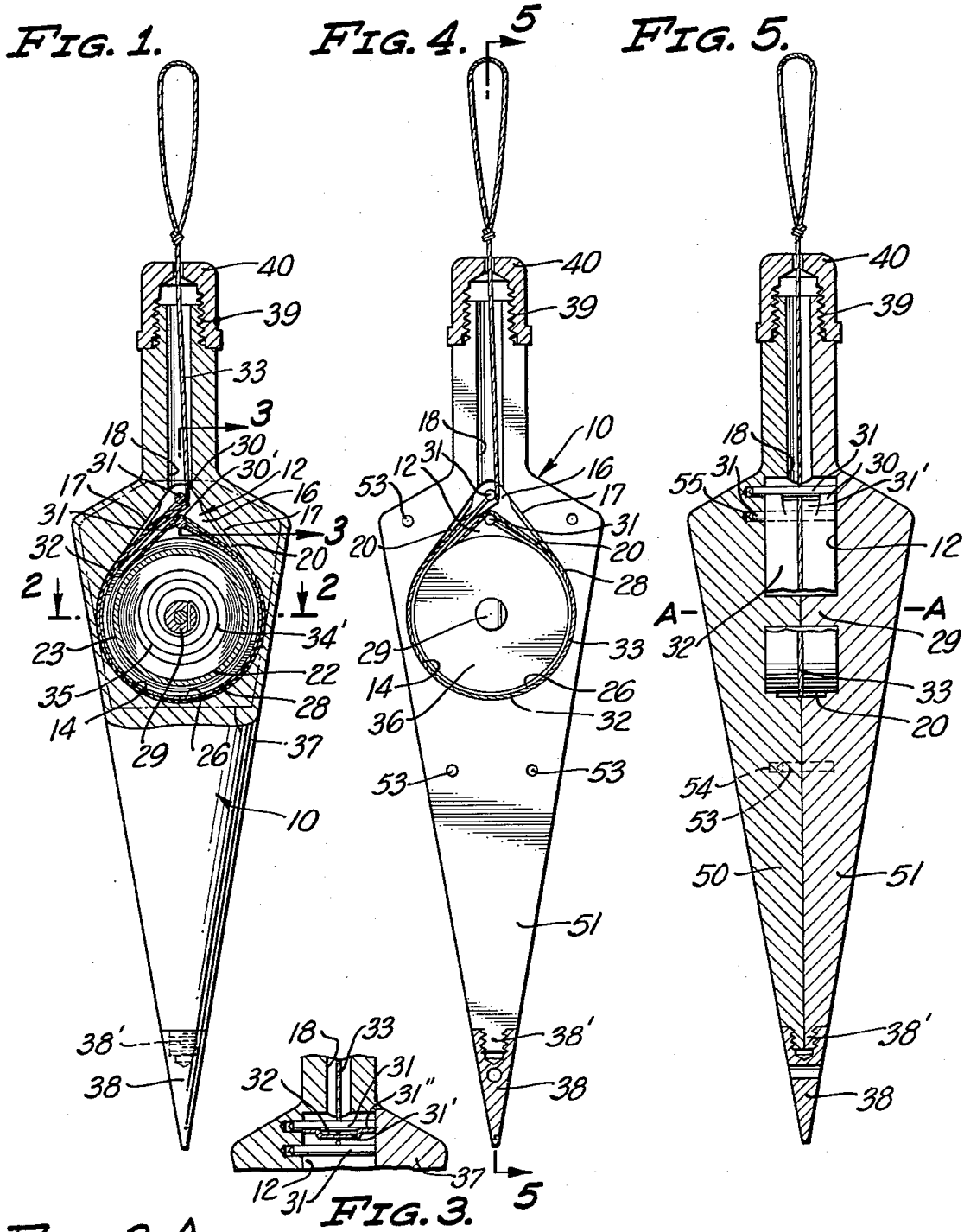
M. S. KRUSE

3,064,356

RETRACTABLE PLUMB BOB

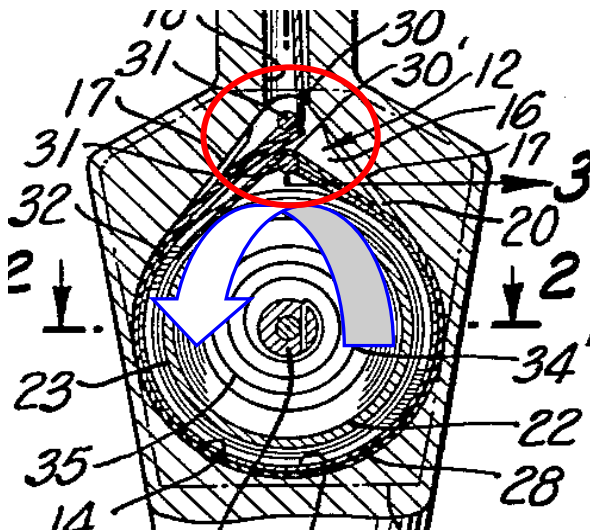
Filed May 4, 1959

2 Sheets-Sheet 1

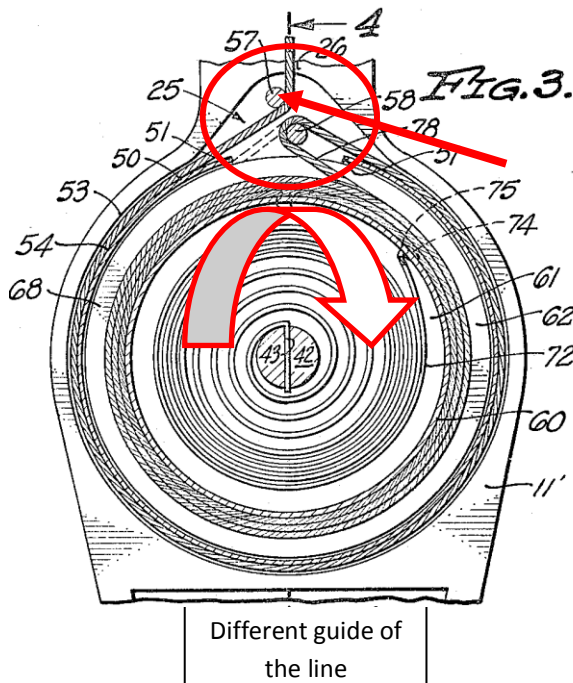


Für mich war es sehr schwer Kruses Patente zu verstehen, da er jedes Detail ausführlich beschrieben hat. Das waren 24 Spalten Kleingedrucktes. Deshalb nur einige Auszüge. Der Aufwickelmechanismus kann **außen** oder **im Lot eingebaut** sein.

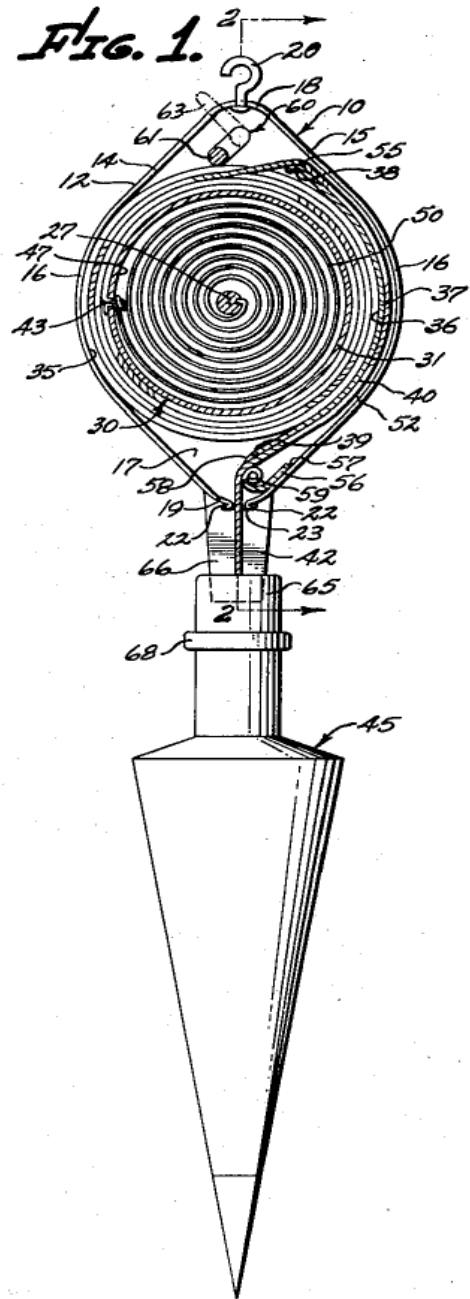
The friction member 28 may be a generally circular band of spring steel of a width to extend completely across the chamber 12. It commences and terminates in rounded shoulders 30 and 30' located adjacent the line-receiving opening 18 in the triangular portion 16 of the chamber. These shoulders partially encircle closely



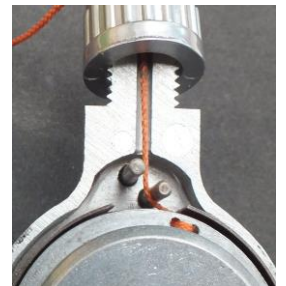
In seinem letzten Patent wird die Schnur anders geführt (über Stifte 31 oder 57/58) und die Feder wirkt recht statt links. Das Bremsmoment 51 ist einfach als vorher. Die Stifte haben eine andere Position.



In dem ersten Patent von 1958 zeigt er einen Aufwickelmechanismus, der auf ein handelsübliches Amerikanisches „Karotten-Senklot“ aufgesetzt wird.



Wenn ich die Schnur so führe, wie in der Patentzeichnung links, ist die Reibung zu hoch und ich kann die Schnur nicht herausziehen. ☹️ Deshalb führe ich die Schnur wie im Foto rechts. JETZ GEHT'S 😊

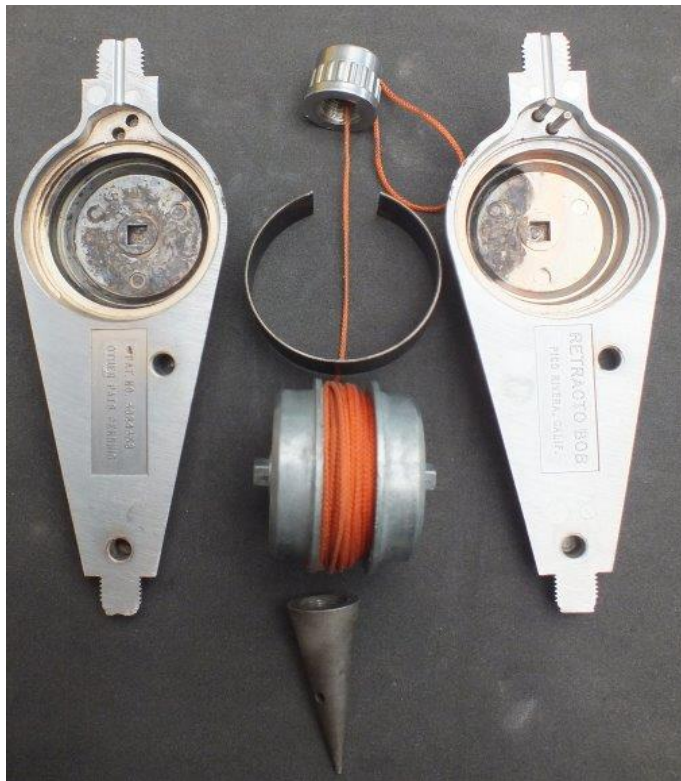


Bilder aus meiner Sammlung mit dem Blechcontainer. Das Lot ist **17 cm hoch** bei **4,8 cm Durchmesser**.

Auch wenn die Patentnummer *US3064356* von 1962 genannt ist, besitzt dieses Lot das Bremsselement und die Position der Stifte von dem 1966 Patent *US3284914*.

Es war wohl zu teuer die Gussform zu ändern. Deshalb änderten sie nur die Position der Stifte. Es wäre interessant zu wissen, ob es auch ein Lot mit anderer Stiftposition gibt (so wie in dem 1962 Patent gezeigt).

HAST DU VIELLEICHT SO EIN LOT?



Einige Beispiele der **Geschichte, Vorteile** und **Nachteile** dieses Senklotes aus den verschiedenen Patenten von Kruse.:

In seinem letzten Patent listet er die Nachteile bei seinen früheren Patenten auf:

1

2,849,805

RETRACTABLE PLUMB BOB

Melvin S. Kruse, Whittier, Calif.

Application March 29, 1954, Serial No. 419,435

9 Claims. (Cl. 33—217)

My invention relates to plumb bobs and more particularly to a retractable plumb bob or line retriever.

Prior retractable plumb bobs have included spring-biased reels journaled about pins or stub shafts traversing a chamber within a housing, the biasing action of a wind-up spring being resisted by a mechanical locking device. As a consequence they have never gone into wide use because, among other reasons, of the inconvenience in withdrawing the line to a desired position and then locking it by a locking means which usually requires grasping the housing in one hand and actuating the locking device with the other.

It is an object of the present invention to eliminate this inconvenience and to provide a plumb bob which is stable at substantially any position of withdrawal of the line without the necessity of using a mechanical locking device. In this connection, it is an object of the invention to devise a plumb bob in which there is a unique frictional relationship between the line and a friction wall, typically a structure in which the friction wall has an outwardly facing friction surface removed sidewardly from the wound line on the reel, the line frictionally engaging such friction surface as a function of the weight imposed on the line by the suspended plumb bob. If it is desired to shift the bob to another elevation, it can be withdrawn against such friction or lifted to relieve the friction and permit the spring to wind the reel to keep the line taut. It is an object of the invention to provide a simple structure of this character.

1

3,064,356

RETRACTABLE PLUMB BOB

Melvin S. Kruse, 9525 Holbrook, Pico, Calif.

Filed May 4, 1959, Ser. No. 810,846

8 Claims. (Cl. 33—217)

My invention relates to plumb bobs and more particularly to a retractable plumb bob or line retriever.

Prior retractable plumb bobs have included spring-biased reels journaled within a housing, the biasing action of a wind-up spring being resisted by a mechanical locking device or a frictional relationship between the line and a friction wall. Much inconvenience has been caused by the necessity of manually actuating the mechanical locking device when the plumb bob is in a desired position. The lack of effectiveness in the frictional relationship has often resulted in the plumb bob slipping from a desired position and has created a need for a more effective method of securing a plumb bob in a selected position.

It is an object of my invention to overcome this inconvenience and lack of holding effectiveness by providing a plumb bob structure which will remain in a desired position upon withdrawal of the line.

An object of my invention is to provide a retractable plumb bob structure having a new and better frictional relationship between the line and a friction wall by arranging the friction wall to commence and terminate in rounded shoulders adjacent a narrow line-receiving opening in the housing.

1

3,284,914

LINE-RETRIEVING PLUMB BOB

Melvin S. Kruse, 9525 Holbrook, Pico Rivera, Calif.

Filed May 18, 1964, Ser. No. 368,017

4 Claims. (Cl. 33—217)

This invention relates to line-retrieving devices. It will be exemplified as applied to a retractable or line-retrieving plumb bob containing an internal reel from which the line can be drawn to various lengths to support and hold the plumb bob at a desired elevation. A retractable plumb bob of this general type is shown and claimed in my Patent 3,064,356, the present invention being an improvement thereon.

Engineers and transit men are often required to suspend a plumb bob short or long distances below a transit or level. Considerable line must be stored on a reel in the limited space provided within the body of the plumb bob if the line is to be extended for long distances, e.g. up to twenty feet or more. At the same time the line should wind and unwind on the reel in a line space of limited axial length. The side boundaries of such a zone should be defined by flanges of the reel and the winding and unwinding of the line should be without danger of catching or clamping. It is an object of the present invention to provide an improved reel structure for this type of device and an improved means for anchoring the spring thereto.

Frictional forces holding the plumb bob at a selected level are desirably induced largely by looping the line around shoulders and causing it to surround an internal friction member or band, all in such manner that the spring and the weight of the bob tension the line and hold it against the friction member and such shoulders. In my prior patent, the tangentially-extending ends of the friction member were anchored by being bent to encircle closely spaced pins, one of the encircling portions forming one friction shoulder and the other providing a guide passage for transferring the line to the outer surface of the friction member. This arrangement is unduly costly and has given some trouble in service through undue wear on the line and sometimes a slight shift in position of the band, leading to erratic operation. Further, it is difficult to bend the ends of the spring accurately and attach them to the pins so that they provide smooth friction surfaces yet closely surround the pins with no chance of becoming loosened therefrom during operation. It is an object of the invention to provide an improved structure for mounting such a friction member or band. In this connection it is an object to dispose a friction band with its edges in circular channels of the housing, preferably with the ends of the band respectively spaced from one or both of the pins providing the friction surfaces around which the line moves during retraction or play-out.

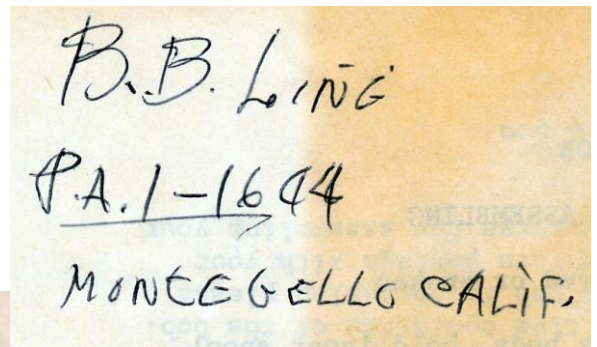
As distinct from peripherally journaling the reel, it is an object of the present invention to journal the reel on a small central member traversing the reel space. The resulting journaling friction is lower and more uniform under all operating conditions.

Another object of the invention is to provide a reel having an inner spring space longer in axial direction than an outer line space. It is then possible to employ a relatively wide spiral spring in the spring space. Additionally the smaller line space provides for a better winding and unwinding of the line as the latter moves into and from a line-receiving opening.

Bild rechts: Name auf der Rückseite der Bedienungsanleitung scheint der Besitzer zu sein. ????

Bild unten: Die Bedienungsanleitung für

1. Auswechseln der Schnur und
2. Reparatur einer gebrochenen Feder



RETRACTO BOB

INSTRUCTIONS FOR ASSEMBLING

1. To Change or Replace Line When Frayed or Broken

Unscrew cap and point. While separating body, hold inner spool with thumb and allow spool to unwind slowly in order to prevent spring back-lash which may break the spring. Lift spool out and replace line with 45 lb. test braided nylon 12 ft. long. Do not disassemble spool caps. * Thread one end of line through one hole and then the other hole of spool cap and tie knot which must remain on the inside of spool cap flange. Wind line in the same direction of arrow as marked on drum. Place the two pins and the steel-tempered friction band in the half section stamped "RETRACTO BOB". Check installation of friction band for proper seating in recess with the opening of band to be opposite of the pins at the top. Before installing spool back in body, apply a tiny drop of light oil at each end of center pin to lubricate spool bearings. Thread loose end of line through threaded cap and form a loop and tie a knot. Place spool in body with center pin engaged in square retainer. Turn spool with line clockwise four times to create spring tension. Pull out about one foot of line. Hold tension of spool with thumb. Wind line once around the lower pin and friction band and around upper pin and align with center groove at the top. Finish body assembly with cap and point.

2. To Repair Broken Spring.

Unscrew cap and point. Lift spool out and remove spool caps by firmly grasping opposite caps of spool with pliers and turn slightly. Pull out about twelve inches of the spring center. Trim-taper back end of spring and insert in slot of center pin so that it projects about $\frac{1}{4}$ " through the center pin and bend over. This can be done once only without annealing the spring. Then it can be repeated several times over providing the end of the spring is annealed by a gas flame until a cherry-red color is attained about one inch in length and air-cooled. After the spring is installed in the center pin slot, reassemble caps by pressing the caps evenly and securely with pliers. Complete assembly by following the marked star above.(*).

If the instructions above are followed carefully, no difficulty will be encountered in the smooth, positive operation of the bob. In the event you are unable to put ~~back~~ bob in operation please enclose money order or check to cover return postage with your bob to save C.O.D. charges. No service charge for assembling your bob is necessary.

Mail to:
M. S. Kruse & Son
Box 547
Pico-Rivera,
California

3. PATENTE, DIE BEI KRUSE ALS „BEZUG“ GENANNT SIND:
(Das Patentamt forscht nach früheren Patentanmeldungen, um zu sehen ob das Patent auch wirklich neu ist.)

US599178 J. GWILLIAM 1898 SELF WINDING PLUMB BOBS

A. E. BURNS.
 PLUMB BOB.
 APPLICATION FILED MAY 20, 1912.

1,043,295.

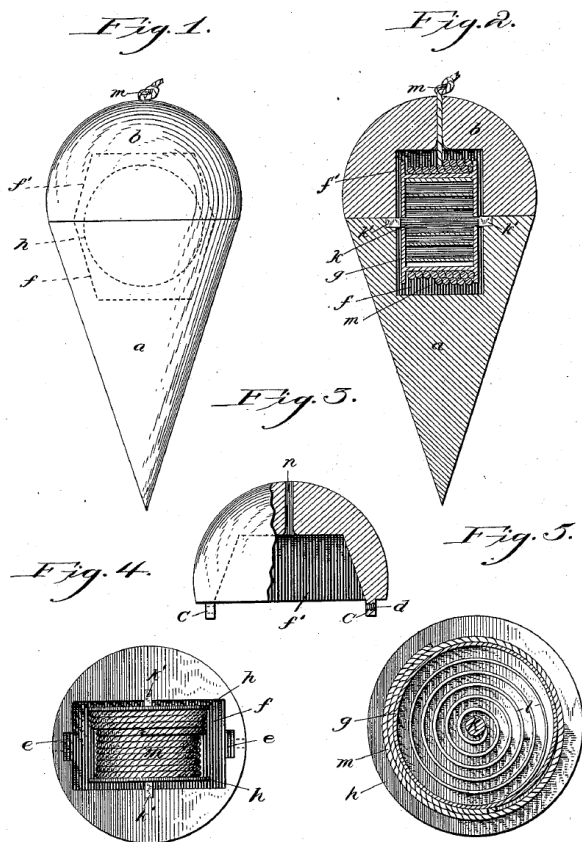
Patented Nov. 5, 1912.

(No Model.)

J. GWILLIAM & W. JARVIS.
 SELF WINDING PLUMB BOB.

No. 599,178.

Patented Feb. 15, 1898.

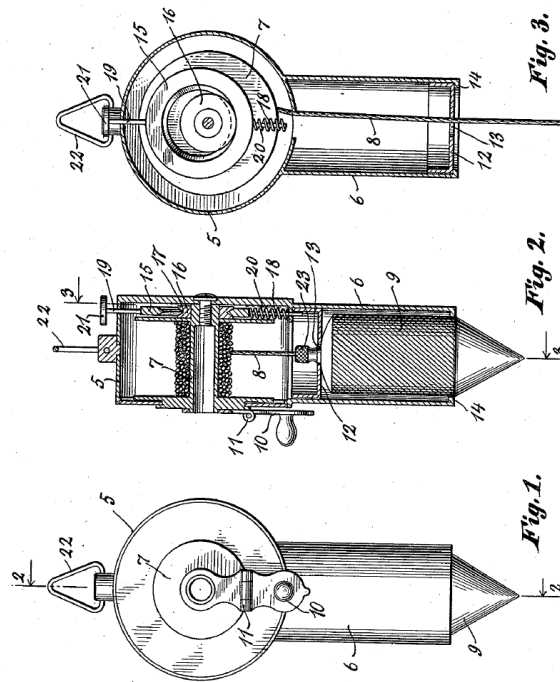


Witnesses:
 J. B. Appleman
 A. H. Brown

Inventors:
 James G. Williams
 William Jarvis

The invention further aims to construct a self-winding plumb-bob that will be extremely simple in its construction, strong, durable, comparatively inexpensive to manufacture, and effectual in the performance of all its functions.

Briefly described, the invention consists of the bob formed in two sections, each section being recessed and having arranged therein a drum, to which the line is attached, said drum being operated by means of a spring to return the cord onto the drum after the weight on the line or cord has been relieved, and in describing the invention in detail reference is had to the accompanying drawings, forming a part of this specification, and wherein like letters of reference indicate similar parts throughout the several views, in which—



Witnesses:
 G. Larson
 H. Schmidt

Inventor:
 Albert E. Burns.
 By Augustus
 Attorney

To all whom it may concern:

Be it known that I, ALBERT E. BURNS, a subject of the King of Great Britain, residing at Boston, in the county of Suffolk and State of Massachusetts, have invented certain new and useful Improvements in Plumb-Bobs, of which the following is a specification.

This invention has for its object to provide a novel and improved holder for plumb-bobs, whereby the line is effectually prevented from getting tangled up and knotted.

The invention also has for its object to provide the holder with a reel or spool on which the line is wound, together with improved means for controlling the paying out of the line.

A further object of the invention is to provide a holder of the kind stated which is simple and compact in construction and which can be easily carried in the pocket.

Another object of the invention is to provide a guide which centers the string.

With these objects in view, the invention consists in a novel construction and arrangement of parts to be hereinafter described and claimed, reference being had to the accompanying drawing, in which—

Nr. 268892

Nr. 268892



SCHWEIZERISCHE EIDGENOSSENSCHAFT
EIDGENÖSSISCHES AMT FÜR GEISTIGES EIGENTUM

PATENTSCHRIFT

Veröffentlicht am 3. Januar 1951

Klasse 59

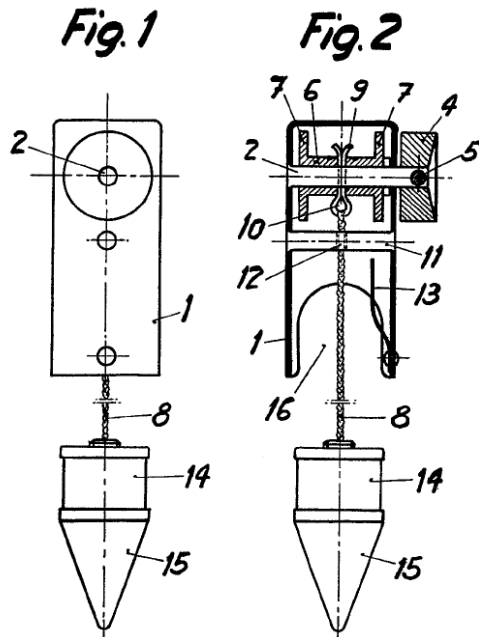
Gesuch eingereicht: 21. Juli 1918, 20 Uhr. — Patent eingetragen: 15. Juni 1960.

HAUPTPATENT

«Rilko» Rieser, Biel (Schweiz).
Senkblei.

«Rilko» Rieser

Patent Nr. 268892
1 Blatt



PATENTANSPRUCH:

5 Senkblei, gekennzeichnet durch eine Hülse, enthaltend eine Aufwickelvorrichtung für die das Gewicht tragende Schnur, sowie eine Führungsvorrichtung für die Schnur.

S. W. WILCOX.
PLUMB BOB.

No. 584,803.

Patented June 22, 1897.

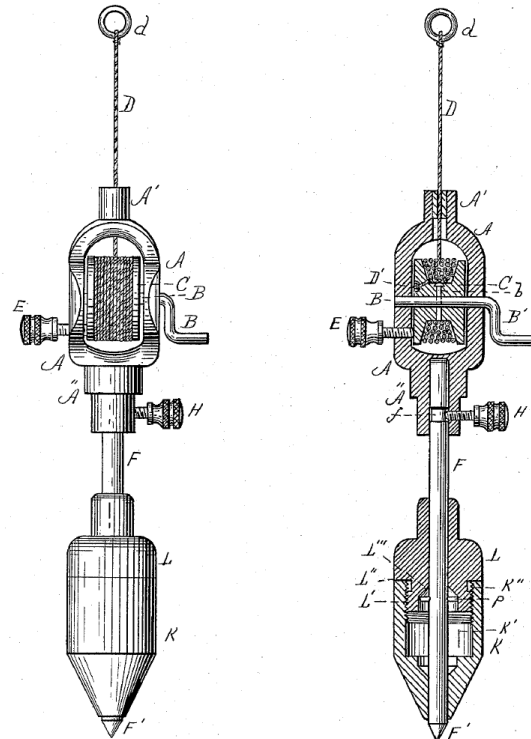


FIG. 1.

FIG. 2.

WITNESSES.
A. D. Bonney.
C. G. Knappdon.

INVENTOR
Samuel W. Wilcox
By his Atty.
Henry Williams

To all whom it may concern:

Be it known that I, SAMUEL W. WILCOX, a citizen of the United States, residing in Mendon, in the county of Worcester and State of Massachusetts, have invented a new and useful Improvement in Plumb-Bobs, of which the following is a specification.

This invention relates to an improved construction whereby the plumb-cord may be wound upon a reel, so as to prevent tangling or knotting, and may be unwound to any length desired and the reel held stationary at the desired point, and whereby the bob be centered in any desired hole, countersunk or otherwise.

No. 702,288.

H. M. CURRY.
PLUMB BOB.

Patented June 10, 1902.

(Application filed Dec. 31, 1901.)

(No Model.)

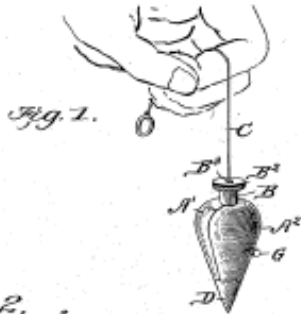
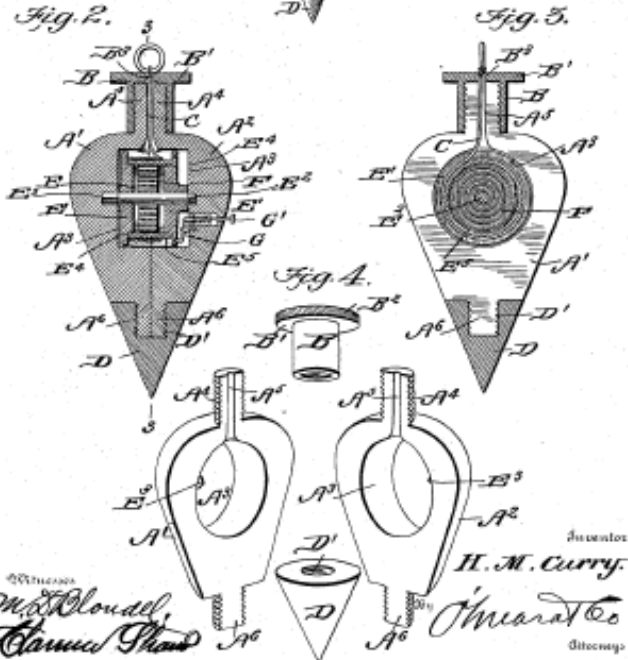


Fig. 1.



W. McDonald,
Carnegie Trust

Inventor
H. M. Curry.
Attorney
J. M. Ward & Co.

To all whom it may concern:

Be it known that I, HILL M. CURRY, a citizen of the United States, residing at California, in the county of Washington and State of Pennsylvania, have invented a new and useful Plumb-Bob, of which the following is a specification.

This invention relates generally to plumb-bobs and more particularly to one having a spring-actuated cord-winding mechanism arranged therein whereby the said cord is unwound or reeled within the body of the plumb-bob when not employed for suspending the said plumb-bob.

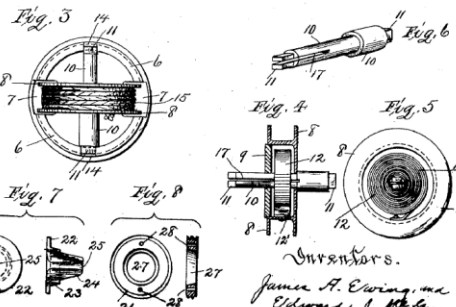
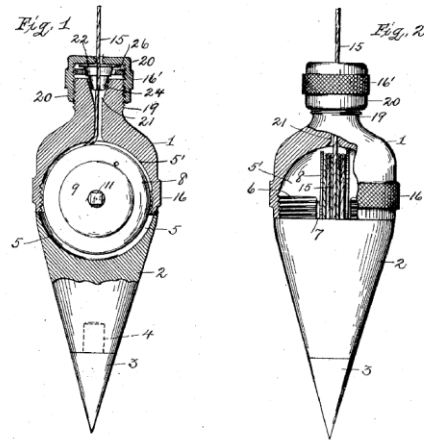
The object of the invention is to provide a plumb-bob embodying these characteristics which shall be simple in construction and efficient in operation; and the invention consists in the novel features of construction and combination hereinafter fully described, and pointed out in the claims.

J. A. EWING AND E. J. MCGOWAN.
PLUMB BOB.

APPLICATION FILED MAR. 5, 1919.

1,349,565.

Patented Aug. 17, 1920.



Inventors.
James A. Ewing, Jr.
Edward J. McGowan
by their Attorney
C. H.

To all whom it may concern:

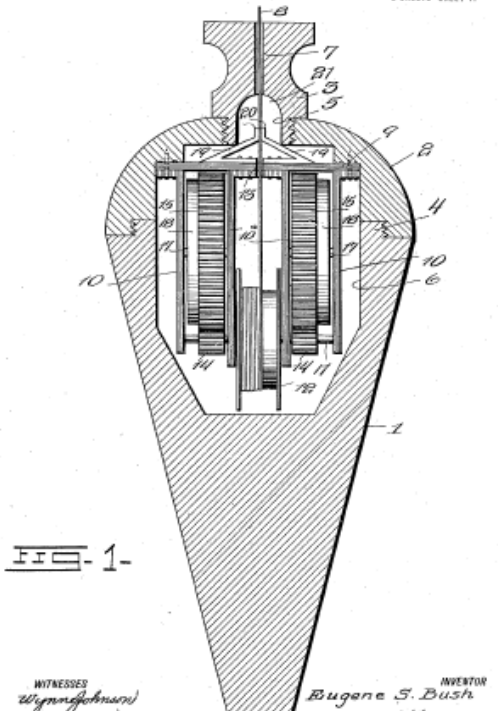
Be it known that we, JAMES A. EWING and EDWARD J. MCGOWAN, citizens of the United States, residing at Springdale and Tarentum, respectively, in the county of Allegheny and State of Pennsylvania, have invented certain new and useful Improvements in Plumb-Bobs; and we do declare the following to be a full, clear, and exact description of the invention, such as will enable others skilled in the art to which it appertains to make and use the same, reference being had to the accompanying drawings, and to the letters and figures of reference marked thereon, which form a part of this specification.

This invention relates to an improved plumb-bob. The object being to provide an implement of this character that will afford a means whereby the plumb-line may be wound about a spring-actuated drum installed within the body of the plumb-bob, and automatically rewind the said line. A further object of the invention is to provide a means for adjusting the length of the plumb line and lock said line at any point along its length, and a further object is to adjust the several parts with relation to the plumb-bob proper, so that the point of the bob will maintain an accurate axial line with that of the plumb-line. With these and other objects in view, the invention consists in the details of construction and combination of parts, as will be fully described hereinafter.

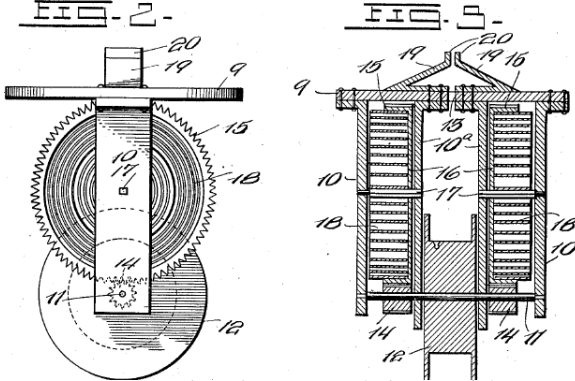
US1357270 BUSH 1920 AUTOMATIC PLUMB BOB:

Unten einige Fotos von Nelson von seinem BUSH Senklot. Seine Inv.Nr. 461.

E. S. BUSH.
AUTOMATIC PLUMB BOB.
APPLICATION FILED SEPT. 19, 1919. Patented Nov. 2, 1920.
2 SHEETS—SHEET 1.



1,357,270. Patented Nov. 2, 1920.
2 SHEETS—SHEET 2.



To all whom it may concern:

Be it known that I, EUGENE STANLEY BUSH, a citizen of the United States, and a resident of Pendleton, in the county of Umatilla and State of Oregon, have invented certain new and useful Improvements in Automatic Plumb-Bobs, of which the following is a specification.

My invention is an improvement in automatic plumb bobs, and the invention has for its object to provide a bob wherein the supporting cord is connected to the weight in such manner that when not in use the cord may be automatically wound up within the bob, and wherein any length of cord may be withdrawn and the bob clamped to the cord to restrain the operation of the winding up means until it is desired to release the same.



BUSH erfand 1938 auch noch ein anderes Automatik Senklot.
Patent Nummer US2136072

4. GREEN'S LINE WINDING PLUMB BOB (UK)

Ich kenne nur zwei Exemplare von diesem Typ. Wenn Du weitere kennst, lass es mich bitte wissen.

Eins aus der Sammlung meines verstorbenen Freundes Nelson Denny und eins, das ich 2013 in England kaufen konnte.

Als ich die Daten dieser zwei Lote genauer verglich, stellte ich fest, dass sie unterschiedlich sind.

Dieser Typ gehört zu den sog. „REIN-RAUS“ Senkloten. Es ist innen hohl, um die Spule aufzunehmen. Die Schnur wird durch zwei Löcher in der Lothülle nach außen und wieder zurück geführt und dabei von der vertikalen Richtung in die Horizontale umgeleitet zur Aufwicklung auf die Spule. Diese „Umleitung“ dient dann auch als Schnurbremse.

Hier die Daten beider Lote:

	Nelson Denny	Wolf Ruecker
Höhe	114 mm	82 mm
Durchm.	64 mm	44 mm
Gewicht	450 g	283 g
Besitzer	H.H.& CO.	G. BATCHELOR
#	20	8 (oder 3)
Text auf oberem Teil	GREEN'S LINE WINDING PLUMMET PATENT APP FOR LONDON * 16 OZ 20 HH & CO	GREEN'S LINE WINDING PLUMMET. PATENT APLD FOR LONDON * 10 OZ 8(or 3) G.BATCHELOR
Text auf unterem Teil	IN →	G.BATCHELOR ←OUT IN →

Leider konnte ich das Patent nicht beim British Patent Office finden, obwohl auf dem Lot steht „zum Patent angemeldet“. ☹

Ich glaube auch nicht, dass Green es jemals ein Patent dafür erhalten hat.

Anmerkung aus Nelsons Inventarblatt: (frei übersetzt)
ANMERKUNG.

“GREEN'S LINE WINDING PLUMMET, LONDON, 16 SIZE“, „PATENT APP FOR“ FÜR „PATENT BEANTRAGT“ IST ZUSÄTZLICH GEMARKT. DIE ZAHL “20” IST AUCH MITTIG EINGESCHLAGEN IN DER BESCHRIFTUNG. EBENFALLS GEMARKT MIT “HH & CO”:

SCHEINT DER BESITZER ZU SEIN. SPITZE IST GEMARKT MIT “IN →” RICHTUNG IN DIE MAN DREHEN MUSS, UM DIE SCHNUR EINZUROLLEN.

DIES IST EIN “IN-OUT” LOT, GENANNT NACH LÖCHERN IN DER SEITE DES LOTES ZUR UMLENKUNG DER SCHNUR AUS DER SENKRECHTEN ZU DER HORIZONTALEN SPULE. DIE REIBUNG DER SCHNUR BEIM DURCHLAUFEN DER LÖCHER DIENST ALS BREMSE FÜR DIE SCHNUR.

Unten Original Fotos von Nelson von seiner 16 Unzen Version:



Es war nicht leicht Fotos vom Text auf dem kugeligen Senklot zu machen.
Unten Fotos von meiner 10 Unzen Version.



Zum Aufwickeln der Schnur das Lot in einer Hand halten und mit der anderen die Spitze drehen.



5. ETWAS ZUM SCHMUNZELN

☺ Im letzten Jahr bekam ich eine Anfrage aus England:

„ Liebe Senklot-Gemeinde, neulich kaufte ich ein Senklot auf einem Flohmarkt, das bei näherem Hinsehen einige Besonderheiten aufweist. Hast Du so eins schon mal gesehen und kannst mir sagen, warum es so ist, wie es ist? Das Lot besteht aus drei Teilen. Die zentrale Stange ist durchbohrt, damit die Schnur durchgeführt werden kann und es ist unter 90 Grad ein großes Loch, um den Knoten der Schnur aufzunehmen. Allerdings hat dieses Loch ein Gewinde anstelle einer glatten Bohrung. Das Gewinde ist gleich zu dem im Hauptkörper mit dem die Spitze eingeschraubt werden kann. Zur Illustration habe ich die Teile mal so zusammen geschraubt. Die andere komische Sache ist das kleine Loch quer in der Spitze. Ich wäre dankbar, wenn Du mir irgendetwas zu



diesem Senklot sagen könntest.

With best wishes,
Marcus”

Meine Antwort:

„ICH HABE MAL EINIGE FREUNDE GEFRAGT, ABER ALLE ANTWORTEN WAREN NEGATIV. ICH KENNE TAUSENDE VON UNTERSCHIEDLICHEN SENKLOTFORMEN, ABER DIES IST KEIN „GEBORENES“ SENKLOT. d.h. ES WURDE NICHT PRODUZIERT, UM ALS SENKLOT „ZU LEBEN UND ABREITEN“.

ABER – WIE DU BESTIMMT WEISST- DU KANNST JEDES TEIL AN EINE SCHNUR HÄNGEN UND ALS SENKLOT BENUTZEN. ☺ DIE GRÜNDE, WARUM LEUTE SOLCHE TEILE ALS LOTE VERWENDEN, IST VIELFÄLTIG:

- EINIGE NEHMEN SIE, WEIL SIE NICHTS ANDERES IN DER WERKZEUGKISTE HABEN,
- ANDERE, WEIL SIE DAS GLÄNZENDE MESSING ODER DIE EXOTISCHE FORM MÖGEN,
- WIEDERUM ANDERE WOLLEN GELD SPAREN UND KEINE TEUREN LOTE KAUFEN.
- WAHRSCHEINLICH GIBT ES NOCH VIELE ANDERE GRÜNDE.

ZURÜCK ZU DEINEM TEIL: ES HAT (FAST) ALLE EIGENSCHAFTEN, DIE DU FÜR EIN RICHTIGES LOT BRAUCHST:

- BEFESTIGUNG FÜR DIE SCHNUR (IN DIESEM FALL DAS LOCH DURCH DEN STAB)
- SYMMETRISCHE FORM (MIT AUSNAHME DES GROSSEN LOCHES AN DER EINEN SEITE)
- EINE SPITZE, AUCH WENN SIE NICHT BESONDER SPITZ IST

WAS MICH ETWAS STÖRT IST DIE KONSTRUKTION DER VERSCHIEDENEN TEILE.

KEIN HERSTELLER EINES LOTES WÜRDEN ZUSÄTZLICHE GEWINDE SCHNEIDEN UND LÖCHER BOHREN, DIE NICHT NÖTIG SIND ZUR BENUTZUNG ODER FÜR DIE OPTIK.

AUCH DAS SENKRECHT LOCH IST ZU GROSS FÜR MICH. DER DURCHMESSER SOLLTE GLEICH GROSS MIT DEM DURCHMESSER DER SCHNUR SEIN UND FÜR SO EIN LOT BRAUCHST DU EINE DÜNNE SCHNUR.

KOMISCH IST AUCH DAS HORIZONTALE LOCH IN DER SPITZE UND DIE ABFLACHUNG AN DER SPITZE.

WIR KENNEN SOLCHE HORIZONTALEN LÖCHER IN NEUEREN AMERIKANISCHEN LÖTEN, UM EINEN NAGEL ODER STIFT EINZUFÜHREN ZUM LÖSEN DER AUSWECHSELBAREN SPITZE. ABER DAS IST HIER NICHT SO.

MEHR ÜBER SPITZEN VON SENKLOTEN FINDEST DU IN MEINEM NEWSLETTER 2008-3 „KÖPFE UND SPITZEN VON LÖTEN“

ES KÖNNTE ALSO EIN GRIFF ODER IRGENDWAS HÄNGEDES ORNAMENT SEIN. ICH WERDE ES IN ERINNERUNG BEHALTEN. VIELLEICHT FINDE ICH IN ZUKUNFT EIN ÄHNLICHES TEIL.

SCHADE, DASS ICH KEINE BESSERE ANTWORT FINDEN KONNTE.

WOLFGANG”

Die **überraschende Lösung** schickt mir Marcus einige Wochen später:

“Dear Wolfgang:

Ich hatte nicht erwartet das Geheimnis so bald zu lösen, aber ein Bekannter brachte mich auf die richtige Spur. Es zeigt, dass Du Recht hattest. Es ist nicht vorrangig als Senklot hergestellt, aber es wurde so gemacht, damit es als solches angesehen wird, um seinen wirklichen Zweck zu verschleiern. Mein Bekannter, der wohl welterfahrener ist als ich, sagte mir, dass es ein Pfeife zum Rauchen von Marihuana ist. Er fand auch ein Bild im Internet.



All good wishes,
Marcus”

“DEAR MARCUS,
GRATULATION!

ICH RAUCHE NICHT, WEDER TABAK NOCH MARIHUANA, ALSO KENNE ICH AUCH NICHT SO EIN PFEIFE ☺

DANKE FÜR DIE INFORMATION ÜBER DAS GLÜCKLICHE ENDE DER SUCHE. ICH WERDE MEINE SAMMLERFREUNDE ÜBER DIESES „**MARIHUANA SENKLOT**“ INFORMIEREN. (Was hiermit geschehen ist)

WOLFGANG”

Ich habe noch etwas im Internet gesucht und Bilder dieser Marihuanapfeifen gefunden.



Etliche sehen wirklich wie Lote aus. ☺ !

Angeboten werden sie als „Pilzpfeife“ („mushroom pipe“) oder „Messing-Geschoss-Pfeife“ oder „kleine Messingpfeife für Marihuana“ zum Preis von 3 Engl. Pfund oder 8 bis 16\$.

Das ist weniger, als ein Messinglot kosten würde! ☺

6. BEMERKUNG

Lieber Leser der SENKLOT NEWS,
Lieber Sammlerfreund,

dies ist ein Artikel der monatlich heraus gegebenen WOLFS SENKLOT NEWS, die auf Anfrage als Email-Anhang als PDF-Datei kostenlos verschickt werden.

Frühere Ausgaben sind zu finden auf meiner Homepage www.senkloete.eu

Anfragen über email: plumbbobwolf@t-online.de

Viel Spaß beim Lesen
Wolfgang Rucker

plumbbobwolf@t-online.de



Logo der IPBCA INTERNATIONAL
PLUMB BOB COLLECTORS
ASSOCIATION.
FÜR UNS DREHT SICH DIE GANZE
WELT UM DAS SENKLOT ☺